

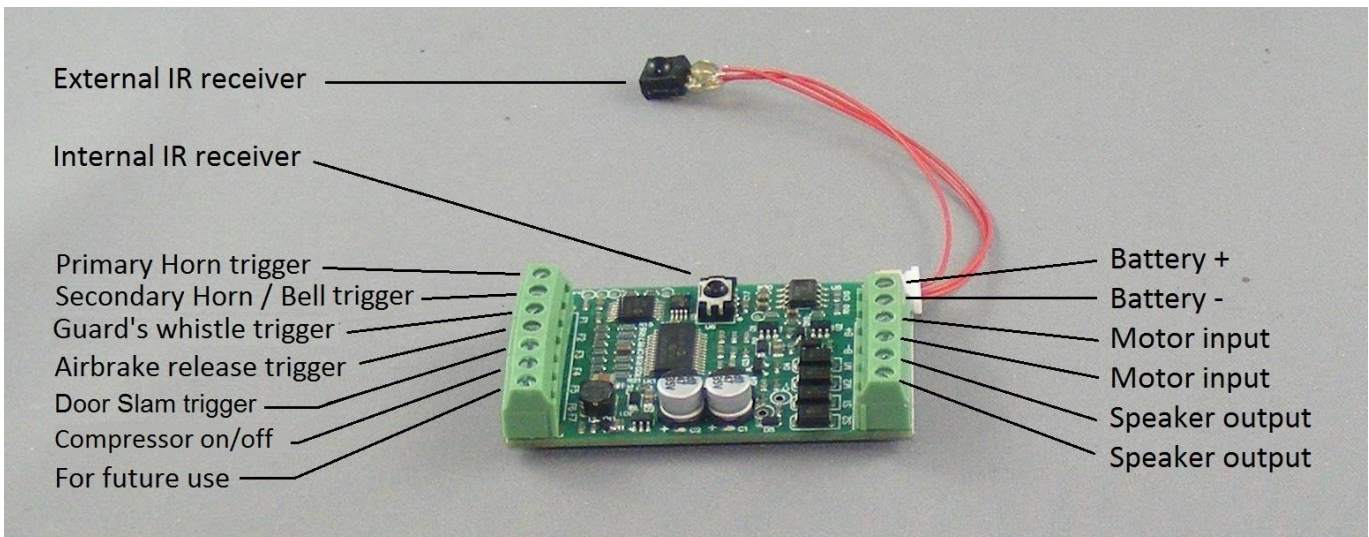
MYLOCOSOUND

UNIVERSAL SOUND FOR LARGE SCALE, DC, ELECTRIC LOCOS & RAILCARS

1. OVERVIEW

- Easy installation using screw terminals with no soldering.
- Uses a TV remote control to adjust the volume and sounds to match the prototype.
- Provides a motor sound which matches the loco speed and load.
- Single and dual tone horns with adjustable tone to suit the prototype.
- Full remote control of the horn, bell, airbrake, compressor, guard's whistle and door slam.
- For track powered DC or battery powered radio controlled railways

2. CONTENTS



The soundcard generates synthesised sound which is adjustable to reproduce the sounds of many locos, trams and railcars. The terminal connections on the right are necessary for the soundcard to generate motor sounds which vary with the loco speed and load. The terminal connections on the left trigger the various sounds where the locomotive controller has the appropriate outputs available.

Sounds can also be triggered by the infra-red TV remote control which comes with the soundcard. Although it can be used when running in the garden, the remote control is intended mainly for the adjustment and testing of sounds and their volume.

The remote control communicates with the soundcard via two infra-red receivers. One is located on the soundcard and the other is on a flying lead which allows it to be fixed to any external surface of the loco.

Adjustments to the sounds can then be made without taking the loco apart to access the soundcard.



3. SPEAKERS AND SOUND QUALITY

The soundcard requires an 8 ohm loudspeaker which is not included. A 4 ohm speaker can also be used but you may cause the soundcard to overheat and temporarily shut down if the volume is very high and the soundcard is in a confined space.. Your choice of speaker is highly important because it determines the quality of the sound produced.



The lowest cost option is to fit speaker from your local consumer electronics store. Typically these come in 27mm or 57mm diameters. Use the largest which you can fit in your loco.



For a better quality sound and more volume, the speaker needs to be baffled. That means that it needs to be built into the front face of an airtight box so that sound is heard only from the front of the speaker and none from the back. The plastic top of a spray paint can is good for making a baffle as shown in the diagram.

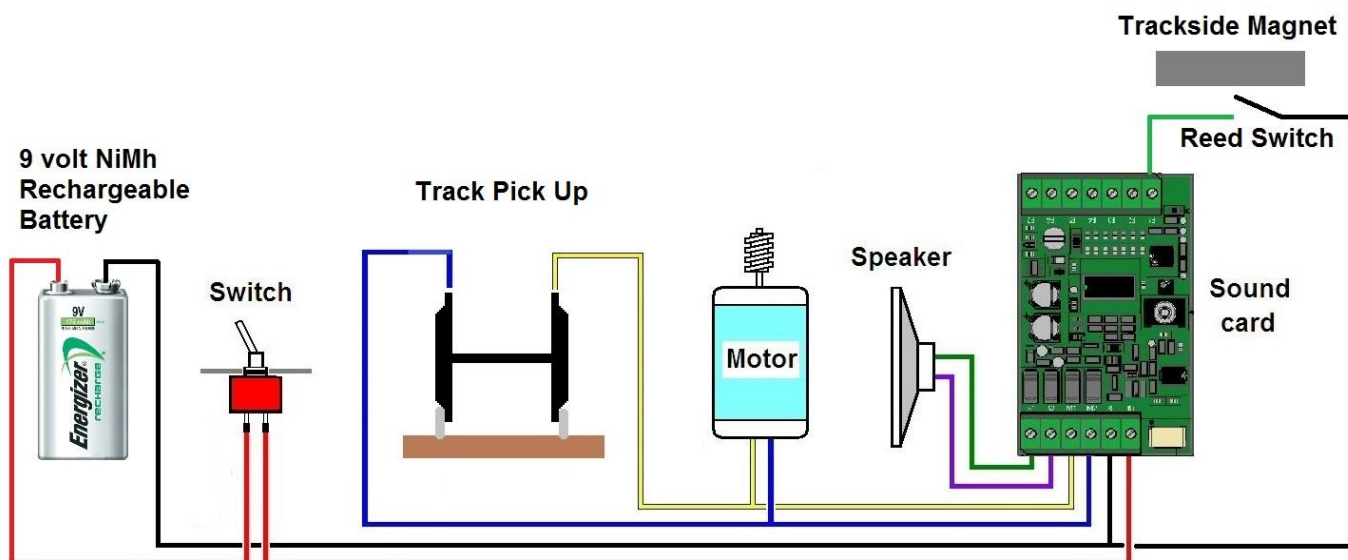
A good solution, which ensures high quality sound with lots of deep throbbing bass, is to purchase an 8 ohm impedance external speaker unit for iPod and MP3 music players and remove the two speaker modules, in their enclosures, for use in two locos. These are readily available at consumer electronics stores.



Speakers can be connected to the terminals either way around.

4. INSTALLING THE SOUND CARD IN A TRACK POWERED LOCOMOTIVE OR RAILCAR

The soundcard is suitable for use on analogue DC track powered railways. It is not suitable for use with DCC.



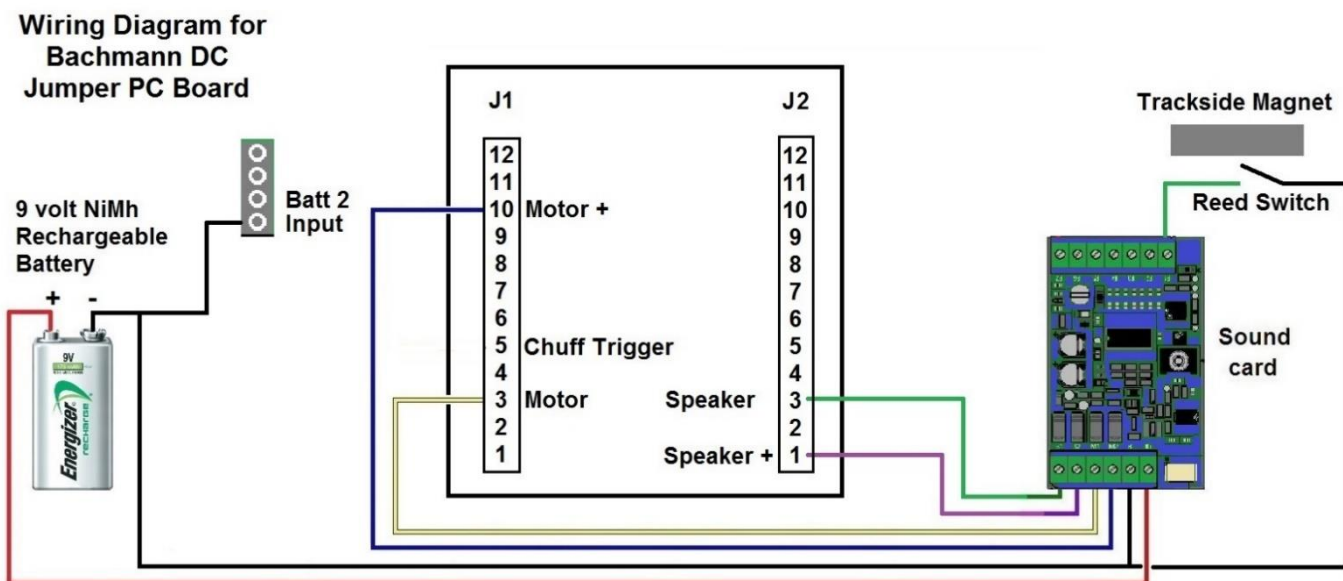
When the track voltage is below nine volts it is insufficient to power the soundcard. Therefore a nine volt PP3 battery is used to drive the soundcard and produce sound when the loco is static or moving slowly.

This battery will be automatically recharged whenever the track voltage exceeds nine volts so there should never be a need to remove the battery for recharging. However, the battery must be a Nickel Metal Hydride type; Lithium and Nickel Cadmium batteries must not be used.

Because most DC controllers do not have function buttons, an alternative way of triggering the horn, bell and other sounds needs to be found. The options are:

1. You can set the horn to sound automatically three times a minute when the train is running. This is described in section 6.
2. You can connect the soundcard horn trigger to a reed switch which you mount on the bottom of the loco. Then install magnets in the track where you want the horn to sound eg. at the approaches to a level crossing. The horn will then sound briefly as the loco crosses each magnet.
3. Use the remote control, supplied with the soundcard, to trigger all the sounds as described in section 6. However, infra-red remote controls are not designed for long distance use outside. On an overcast but bright day, the remote with coin batteries will only operate up to one metre away from the loco. A larger remote control, powered by AA or AAA batteries will probably operate up to three metres away.
4. Any combination, or all, of these methods can be used.

5. The wiring diagram below shows the connections for the DC jumper board in a Bachmann locomotive.



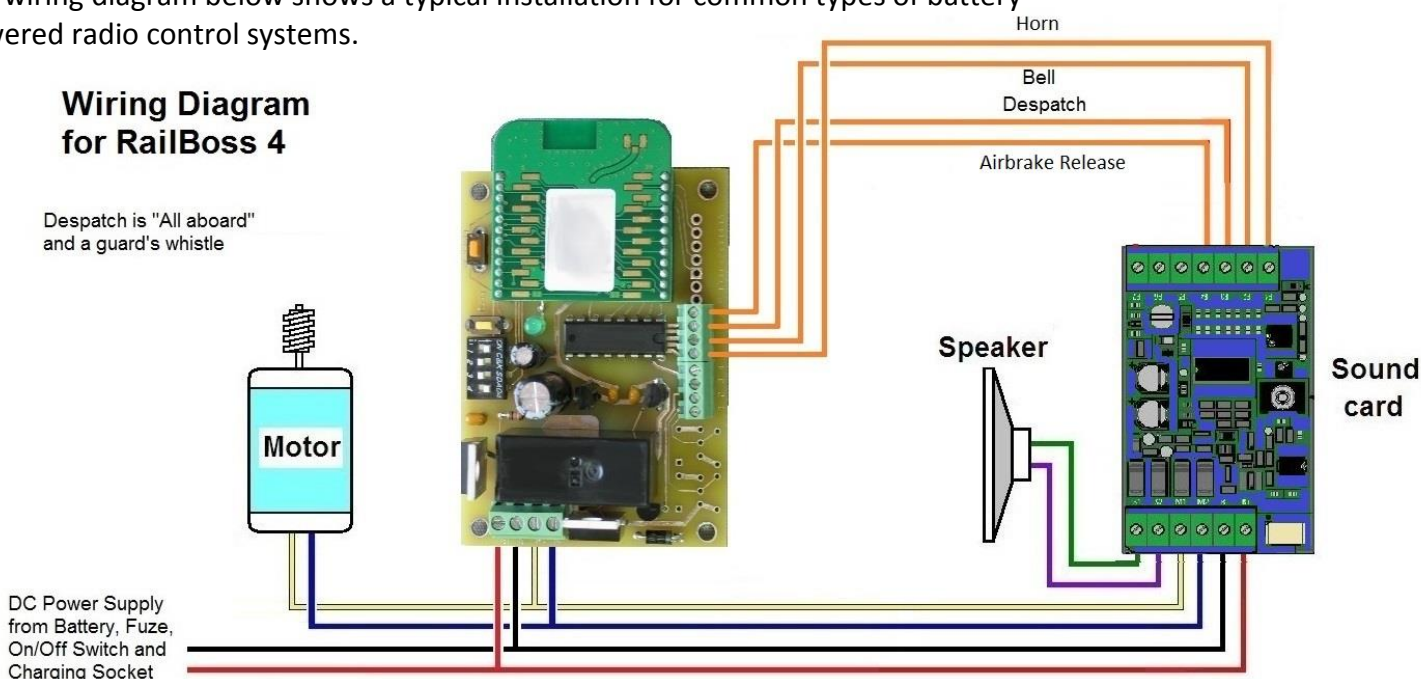
Now continue reading at section 6.

5. INSTALLING THE SOUNDCARD IN A BATTERY POWERED LOCOMOTIVE OR RAILCAR

The wiring diagram below shows a typical installation for common types of battery powered radio control systems.

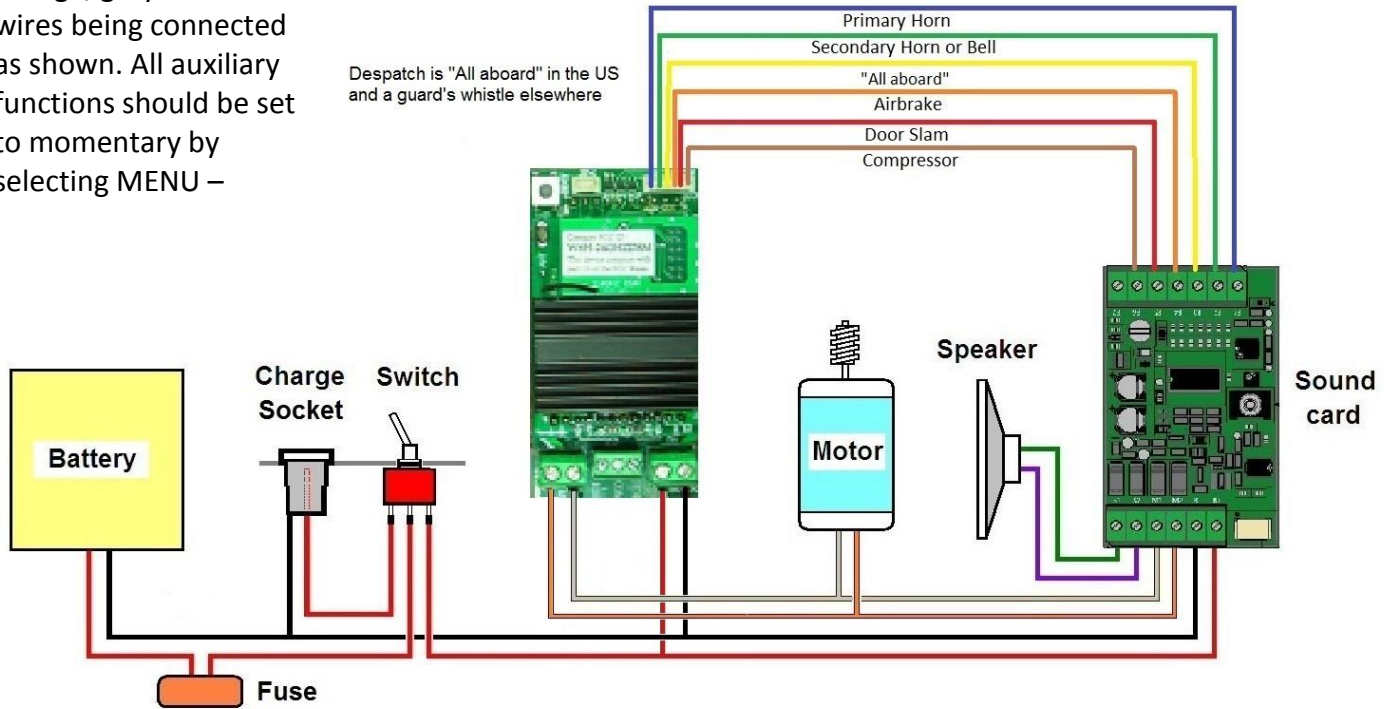
Wiring Diagram for RailBoss 4

Despatch is "All aboard" and a guard's whistle



The RailBoss 4 can trigger four sound functions. The fifth and sixth soundcard triggers, the turbocharger and engine start/stop, therefore cannot be radio controlled and will need to be switched on, if required, by the IR remote control or be set to sound automatically. The above wiring diagrams can be seen in colour by visiting the web site at [www.mylocosound.com\installs](http://www.mylocosound.com/installs). Also shown are specific wiring diagrams for RCS, Barker, Mac 5, RailBoss, Mtronics, Roundhouse, Electronise and LocoLinc.

The Crest Revolution can trigger all six sound functions and is connected as shown in the diagram below. To connect the Crest Revolution, the adaptor plug for custom installations is used with the outer red, orange, grey and black wires being connected as shown. All auxiliary functions should be set to momentary by selecting MENU –



ASSIGN FUNCTIONS – AUX FUNC SETUP.

Note that volume is adjusted by the remote control and not by the transmitter 7, 8 and 9 buttons.

6. THE INFRA-RED RECEIVERS

The infra-red receivers accept commands from the handheld remote control to adjust or trigger sounds. Two receivers are provided. One is fixed in the middle of the soundcard. The other is on a flying lead which plugs into the small white socket as shown on page one.

In some installations, the soundcard is visible when installed in the loco. This usually occurs when the soundcard is mounted on the floor of a cab, with or without windows. In this case, the remote control can be pointed directly at the soundcard and the on-board receiver is all that is needed.

If the soundcard is within the loco and is not visible then the flying lead needs to be used. Plug it into the white socket and glue the black receiver, round side outwards, to any external surface of the loco to which you can easily point the radio control. Do not paint the receiver.

7. THE REMOTE CONTROL

The soundcard will operate with any Sony™ remote control using the buttons described in this section. It will also operate with any universal remote control when it is set to Sony coding. You will probably find a number of codes listed for Sony and will need to try each one until you get to the code which operates the soundcard volume, mute and function buttons correctly.

Please ensure that your remote control has batteries installed and follow the instructions which come with it to set the coding. For the Brightstar, hold down the Setup button until the LED comes on and then enter 605. The LED will go off and it is ready for use.

Note that the buttons on the remote control auto-repeat if held down. If you want a single event to occur, like turning on the safety valve, then press the safety valve and release it immediately. If you want to make a large change in volume or tone then you can hold the button down to avoid the need to press the button repeatedly.



8. CONFIGURING THE SOUND CARD

The first step is to tell your soundcard where your loco comes from. Specifically, is it a North American loco or is it European? Your soundcard has been delivered set for European sounds. If you wish to change then do the following:

1. Power up the soundcard. You should hear a static hiss.
2. Press the Mute button on the remote control.
3. Press the 8 button on the remote control. One beep will indicate that it is set for European sounds and two beeps for North American sounds.
4. Press the Mute button again to restore normal operation.

In European mode, the 3 button triggers a guard's whistle. In North American mode, the 3 button triggers "All aboard" and US whistle sequences in automatic mode.

There are a few settings which need to be specified to match the sounds to the particular locomotive or railcar. Place the loco on the track and switch it on. Then proceed as follows:

- **Compressor.** Press button 0 on the remote control to turn the optional compressor on or off. You should hear it. Adjust the volume using the volume up/down buttons. When running the compressor will stop when the loco moves off and restart when it halts.
- **Engine type.** Press the 7 button on the remote control. If a single beep sounds then the soundcard is set to a motor sound which increases in pitch with loco speed. If there is a double beep then the soundcard is set to an alternative motor sound which operates in the same way. If there are three beeps then the soundcard is set for a Siemens Taurus loco with its "musical" start.
- **Control mode buttons.** Press the 6 button on the remote control to change the control mode.
 - One beep – Indicates manual mode. In this mode all sounds are triggered only by pressing a radio control function or by using the remote control buttons. The horn will sound for as long as its button is pressed.
 - Two beeps – Indicate simple automatic mode. This is designed for controllers which have no function buttons, as is often the case with track power, or at exhibitions, etc. where you don't want to operate manually. The horn will sound once automatically when the loco moves off and then once more three times a minute when the loco is on motion. A reed switch can be placed under the loco and be connected to the F1 terminal to make the horn sound when the loco passes over a magnet. Another reed switch, connected to the F2 terminal, can be used to trigger the bell which will turn on when crossing a magnet and then off at the next magnet.
 - Three beeps – Indicate American automatic mode. Again this is designed for controllers which have no function buttons, as is often the case with track power, or at exhibitions, etc. where you don't want to operate manually. However, it follows American rules.

The horn will sound two long toots when the loco moves off forwards or three short when backing up. If these occur the wrong way around then reverse the leads at the M1/M2 terminals. When the loco stops, a single short toot will indicate brakes on. A reed switch can be placed under the loco and be connected to the F1 terminal to make the horn sound the grade crossing sequence when the loco passes over a magnet.

Another reed switch, connected to the F2 terminal, can be used to trigger the bell which will turn on when crossing a magnet and sound for a set time. This time is set using the remote control. Press button 2, let the bell sound for the desired time and then press button 2 again to stop it. The bell will then ring for that time when the F2 terminal is triggered.

- **Horn type.** Press the 9 button on the remote control. A double beep means that the soundcard is set to British two tone horns. A single beep means that the soundcard is set to single tone horns and, if required, a bell. Three beeps is a British airhorn before the two tone horns were introduced.
- **Horn tone and volume.** Press the 1 button to start the horn. Use the channel up/down buttons to set the tone and the volume up/down buttons to set the volume.
- **Bell volume.** If you are using a single tone horn then the 2 button will sound the bell. Use the volume up/down buttons to set the bell volume to the desired level.

- **Setting the motor tone.** You should hear the motor. If not then press the Mute button to switch on the sound. Use the channel up/down buttons to set the motor tone to the desired starting level and the volume up/down buttons to set the volume. The volume will increase markedly when the loco moves off. It is best to make these adjustments when the locomotive is running although you may need to stop and restart the locomotive to hear the full effect.
- **Setting the engine start voltage.** Turn up the controller to the point where you want the motor volume to start increasing. Then press the Power button to set that start point. Further increases in power should cause the motor to speed up.
- **Setting load sensitivity.** The soundcard can be programmed to make the engine loud when accelerating and softer when coasting and slowing down. This button changes the level of sensitivity as indicated by the number of beeps when pressed. One beep indicates maximum sensitivity. Five beeps sets minimum sensitivity. We suggest you start by setting the sensitivity to two and change to one if you want more sensitivity or three or more if the engine sounds erratic. After five beeps the sensitivity will return to one beep.

You can change these settings whenever you wish and those changes will be effective immediately.

Holding down the 3 button for a few seconds will cause the soundcard to reset itself back to its factory defaults. These include a dual tone horn and diesel mechanical engine.

11. OPERATING THE SOUND CARD

When the loco is running, the engine sounds should operate automatically, getting louder when accelerating and softer when slowing down or idle.

Where your controller has function buttons then you can use them as follows:

- Button 1. Sounds the main horn.
- Button 2. If a British horn was selected then the reverse tones will be heard. Otherwise the bell will ring once each time it is pressed.
- Button 3. Sounds the guard's whistle.
- Button 4. Sounds the airbrake release.
- Button 5. Slams a door.
- Button 6. Turns the compressor on and off when the loco is static.

12. TROUBLE SHOOTING GUIDE

THE REMOTE CONTROL WON'T WORK

Start the soundcard, press any button on the remote control and the LED should flash. If it does not flash then the battery probably needs replacing. If the LED flashes but the soundcard does not respond then the Sony™ coding may have been lost and can be reset as follows.

Refer to the remote control's instructions for resetting the Sony coding. You will probably find a number of codes listed for Sony and will need to try each one until you get to the code which operates the soundcard volume, mute and function buttons correctly. For the Brightstar, hold down the Setup button until the LED comes on and then enter 605. The LED will go off and it is ready for use.

If the remote control still does nothing then the problem may be the infra-red receiver on the loco which must not be painted or obstructed.

I GET NO SOUND AT LOW SPEEDS WHEN USING TRACKPOWER

On trackpower, you may get no sound at low speeds until the track voltage gets up to about nine volts. Indicates that the support battery is flat. Charge it by running the loco at half speed for ten minutes.

I GET NO SOUND AT ALL

Press the Mute button on the remote control in case the sound has been accidentally turned off.

Switch the loco off and then on again. When the soundcard starts, the LED should flash three times. If not then use a multimeter to check that there is at least nine volts at the B+ and B- terminals. If not then check your wiring in case something has come adrift.

Check that the speaker is connected correctly.

THE SOUND CARD MAKES A CLICKING NOISE OR SHUTS DOWN

This most often occurs when the horn is sounded. It is caused by the soundcard restarting because there is insufficient voltage in the track or the battery to sustain the volume setting. Recharge the battery.

WHEN INSTALLED IN A LOCO, THE LOCO AND SOUND STOP INTERMITTENTLY AND I HAVE TO RESET THE CONTROLLER TO GET IT GOING AGAIN

The soundcard maximum output is 1.5 amps. If this is exceeded as a result of a large motor, a heavy load and/or high volume settings then the soundcard will shut down. Also, if the soundcard is installed in a very confined space and is run for a prolonged period at high power then it can overheat and switch itself off while it cools down.

HOW TO RESET YOUR SOUND CARD

A time may come when you have been adjusting the sound and you want to start again. This can be achieved by resetting the soundcard back to the settings when it left the factory. You can do this by pressing the 3 button on the remote control and hold it down for two seconds. The soundcard will beep three times when the reset is complete.

THE SOUND IS ERRATIC

When using trackpower, some controllers have an output which is so rough as to cause the soundcard to run erratically. This can be cured by fitting a 220µF bi-polar capacitor across the M1/M2 terminals to smooth the DC pulses. The capacitor rating needs to be at least 30 volts to ensure that it is more than the maximum voltage of the controller. A bi-polar capacitor is one which connects either way around.

MY RADIO CONTROL HAS BECOME ERRATIC

If the soundcard is installed very close to the loco radio receiver ie, back to back, then it can interfere with the radio commands and operation can become erratic. To avoid this problem move the soundcard a little away from the receiver. You can also avoid the problem by wrapping the soundcard in silver paper but would have to be very careful to avoid shorts and component overheating.

PLC009 Electric Instructions.doc 22/12/17

For more information, please visit the web site at www.mylocosound.com or e-mail sales@mylocosound.com.

Copyright © 2013-7 Peter Lucas Consulting Pty. Ltd.